

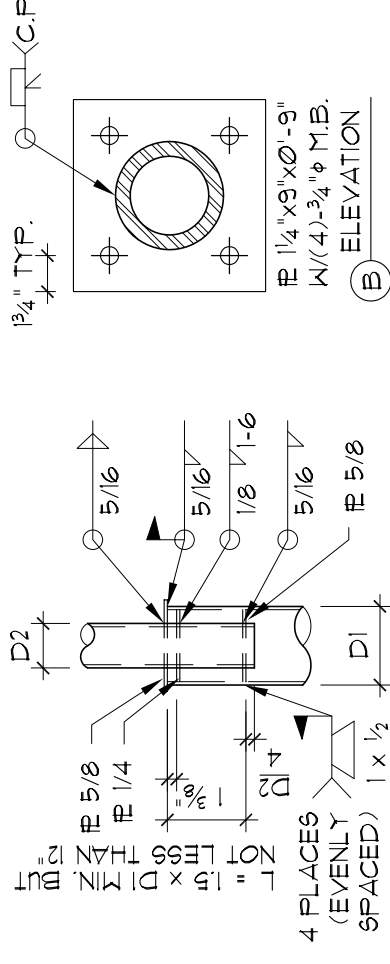
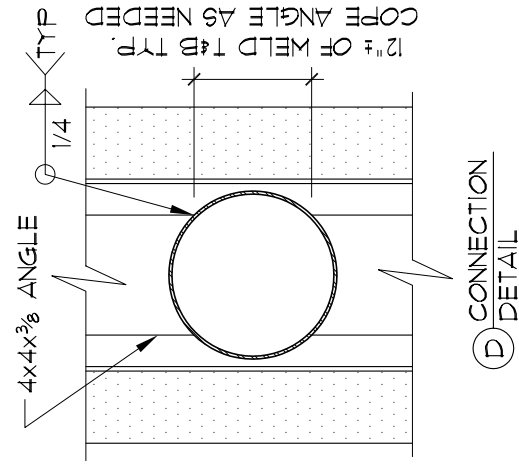
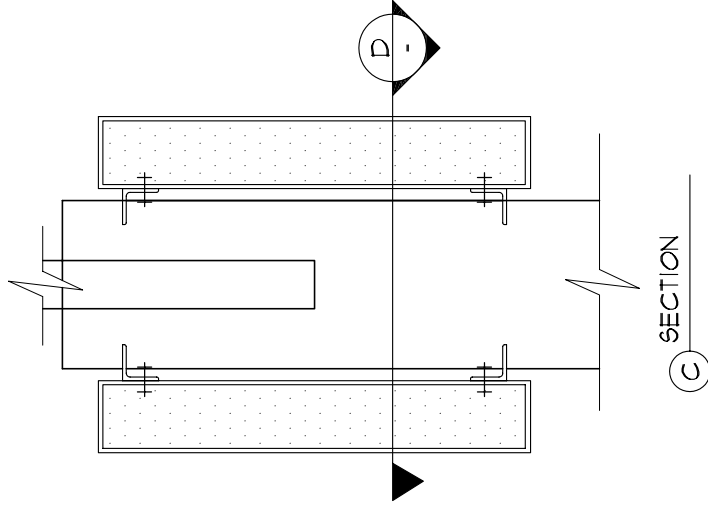
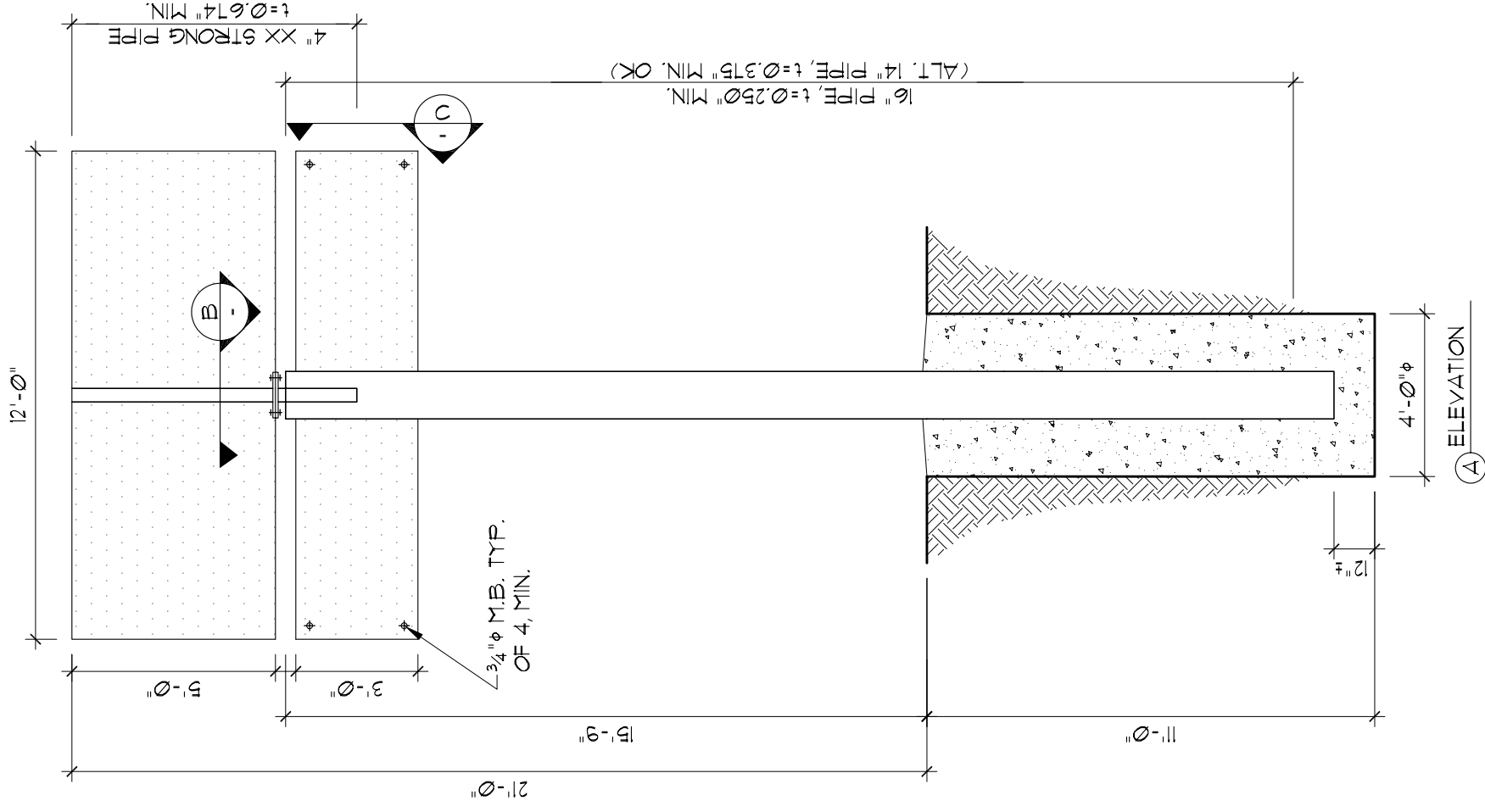
CODE: 1997 UBC/2001 CBC/  
 2000 IBC/2003 IBC  
 WIND: BASIC WIND =  
 124 MPH (UBC/CBC, FASTEST MILE)  
 154 MPH (IBC, 3 SEC. GUST)  
 EXPOSURE = C  
 WIND GOVERNS  $q_s = 39.7$   
 $C_q = 1.4$   
 DESIGN WIND PRESSURES:  
 0' - 15' 58.91 PSF  
 15' - 20' 62.81 PSF  
 20' - 25' 66.14 PSF



STRUCTURAL TECHNOLOGY CONSULTANTS, INC  
 651 ARROYO DRIVE, SAN DIEGO, CA 92103  
 (619) 296-2096 FAX(619) 296-2196

PROJECT: POLE SIGN, VARIOUS LOCATIONS  
 PROJ. NO.: 489-27  
 CLIENT: SIGNTRONIX

DESIGNER: BT  
 SHEET: 1 OF 5  
 DATE: 06-02-05



NOTE: REQUIRED FORCES ARE TRANSMITTED THROUGH CONNECTION BY BEARING. FIELD WELDS ARE OF A MINOR NATURE WITH RESPECT TO STRUCTURAL DEMAND. NO SPECIAL INSPECTION REQUIRED.

(E) TYPICAL SPLICE  
 (E) DETAIL ( $D1 \leq 18"$ )