

User's Guide

Revised May 2001



WARNING:

FAILURE to provide proper electrical voltage at sign connection will result in ballast and lamp failure.

Voltage should be between:

Minimum Voltage 110V

Maximum Voltage 120V

see page 31-36

Signtronix suggests you obtain the services of a reputable installer who will provide proper electrical connection and permits for your sign installation.

PLEASE NOTE: All signs must be installed in accordance with national, state and local electrical and building codes. Signtronix shall have no responsibility for installation. Uses other than the intended purpose is at the sole risk of the buyer/user.

Table of Contents

Models_____	2
Success in Retailing _____	3
Guarantee _____	5
Installer Friendly _____	6
Overall Sizes and Actual Weights _____	7
Section 1 - Mounting _____	9
Section 2 - Electrical Specifications _____	31
Section 3 - Permits / Installation _____	39
Section 4 - Maintenance _____	43

Models

Outdoor

M-326	M-44	M-58
M-328	M-45	M-510
M-3212	M-46	M-66
M-34	M-48	M-68
M-36	M-412	M-612
M-38	M-416	
M-312		
M-316		

Headliners

M-18"x 8'
M-18"x10'
M-18"x12'

Signs are Critical to Success in Retailing

Signs index our business community.

If you are opening a new business, you have probably heard that the secret to success is LOCATION, LOCATION, LOCATION. This is true to a great extent. However, critical to your success is that you clearly identify your location. Dr. R.J. Claus, who has dedicated many years to researching the impact of signage, has determined that the visual communication component (the signage) of a retail location equals 50% of the value of the location.

Signs are the most affordable means of advertising for many businesses. The United States Small Business Administration Bulletin Number 101 on signage for businesses says, "...signs are the most effective, yet least expensive form of advertising for the small business."

Signs can jump start your business by identifying your products or services days or weeks before you actually open. Word of mouth is a great form of advertising but is very slow. Most people do not have a deep pocket of money, so you need to get your business jump started into volumes that will ensure your being able to stay in business. Your sign is a visual magnet that attracts the attention of people passing your business. Signs are always on the job, advertising for you 24 hours a day, 365 days a year. An attractive sign can be the inexpensive insurance you need for success.

Signtronix
1445 West Sepulveda Blvd.
Torrance, California 90501 U.S.A.
www.signtronix.com

Important

This Owner's Manual contains a great deal of information. We urge you to read it carefully and familiarize yourself with your new SIGNTRONIX SIGN.

We extend our best wishes for many years of success in your business.

Signtronix

WARNING: All electrical work should be completed by a qualified electrician or sign installer. Failure to do so may result in fire, injury to yourself or others or death by electrocution.

Guarantee

Signtronix signs are guaranteed for 90 days against any imperfections in materials or workmanship. Signtronix also guarantees the Lexan panels for ten years against breakage, (with the understanding that the merchant is responsible to pay the freight for delivery of replacement(s). Merchant is to call Signtronix before initiating any repairs. Maximum liability is replacement of sign.

Signtronix does not assume responsibility or obligation to erect or connect any sign to electrical sources for any merchant. Merchant is solely responsible for installation and/or installation arrangements.



Guarantee

In conjunction with our supplier and in keeping with the high quality and craftsmanship standards of Signtronix products, the LEXAN panels in your display are unconditionally guaranteed for ten years from the date of delivery against breakage including vandalism.

Name of Business: _____ Dealer: _____

Purchaser Signature: Signtronix President:

Date:

Signtronix, 1445 W. Sepulveda Blvd., Torrance, CA 90501

Signtronix signs incorporate the highest quality materials available:

- Extruded, anodized, aluminum frames (6063).
- High-output, instant-start fluorescent lighting.
- Heavy-duty outdoor ballast.
- Faces are high-impact polycarbonate plastic, guaranteed against breakage for 10 years.
- U.V. protected and able to withstand the harsh environment.
- Each sign is shipped with brackets for easy installation.

Overall Sizes and Actual Weights

Outdoor	Actual Weight	w/Center Pole	Length and Width
M-326	124 Lbs.	132 Lbs.	31 3/8" x 73 3/8"
M-328	143 Lbs.	155 Lbs.	31 3/8" x 97 3/8"
M-3212	288 Lbs.	296 Lbs.	31 3/8" x 145 3/8"
M-34	65 Lbs.	73 Lbs.	37 3/8" x 49 3/8"
M-36	130 Lbs.	145 Lbs.	37 3/8" x 73 3/8"
M-38	171 Lbs.	186 Lbs.	37 3/8" x 97 3/8"
M-44	79 Lbs.	88 Lbs.	49 3/8" x 49 3/8"
M-45	89 Lbs.	102 Lbs.	49 3/8" x 61 3/8"
M-46	139 Lbs.	174 Lbs.	49 3/8" x 73 3/8"
M-48	205 Lbs.	240 Lbs.	49 3/8" x 97 3/8"
M-58	220 Lbs.	255 Lbs.	61 3/8" x 97 3/8"
M-66	320 Lbs.	360 Lbs.	73 3/8" x 73 3/8"
M-68	378 Lbs.	425 Lbs.	73 3/8" x 97 3/8"
M-312	330 Lbs.	345 Lbs.	37 3/8" x 143 3/8"
M-316	395 Lbs.	405 Lbs.	37 3/8" x 192
M-412	434 Lbs.	445 Lbs.	49 3/8" x 145 3/8"
M-416	550 Lbs.	565 Lbs.	49 3/8" x 192
M-510	435 Lbs.	449 Lbs.	61 3/8" x 121 3/8"
M-612	517 Lbs.	567 Lbs.	73 3/8" x 145 3/8"

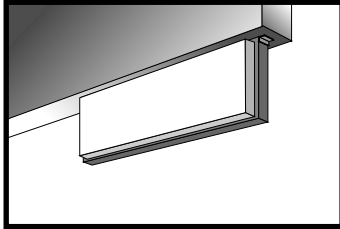
For Combo's add the two purchased models weights and sizes together.

Overall Sizes and Actual Weights (cont.)

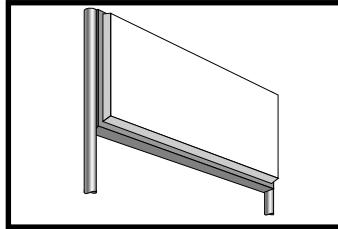
	Outdoor	Actual Weight	Length and Width
Headliners	Hd - 8'	165 Lbs.	97 3/8" x 18 1/4"
	Hd - 10'	188 Lbs.	121 3/8" x 18 1/4"
	Hd - 12'	235 Lbs.	145 3/8" x 18 1/4"
Message Center	1 Line	75 Lbs.	97 3/8" x 14"
	2 Line	135.5 Lbs.	97 3/8" x 27 1/2"
Time & Temp		65 Lbs.	48 3/4" x 18"

Section 1

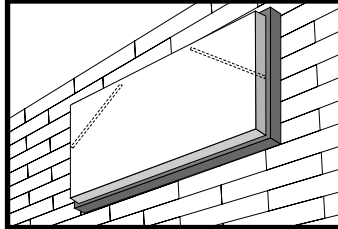
Mounting



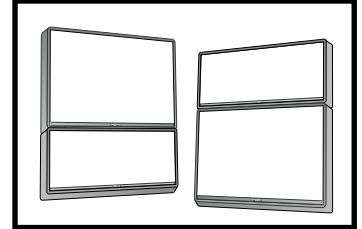
Top Mount (See page 15)



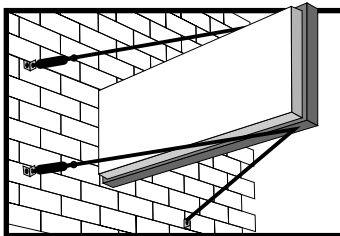
Between two poles Mount (See page 16)



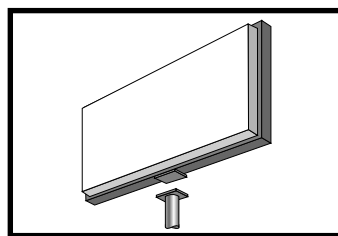
Flush Mount (See page 12)



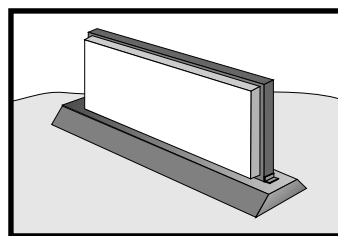
Combo's (See page 17)



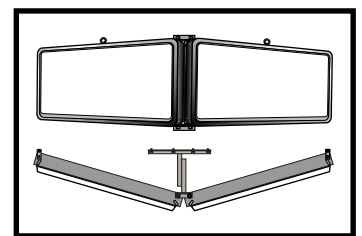
Projecting Mount (See page 13)



Center Pole Mount (See page 11)



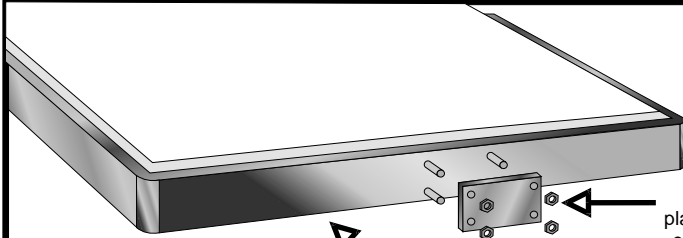
Bottom Mount (See page 14)



V3D Mount (See page 22)

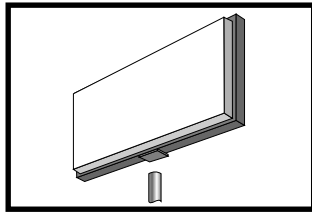
All signs must be installed in accordance with national, state and local electrical and building codes. Signtronix shall have no responsibility for installation. Uses other than the intended purpose is at the sole risk of the buyer/user.

Single Pole Center Mount

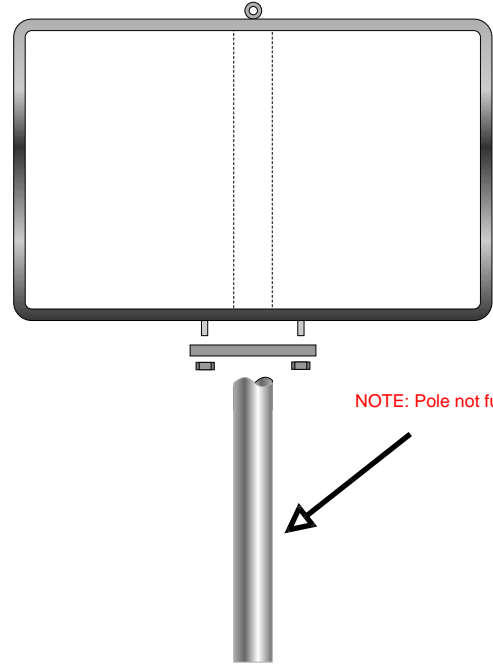


8"x12"
plate provided
center holes
are 3" x 10 1/4"

(1) Steel plate
and (4) 5/8" bolts & nuts
supplied with sign.

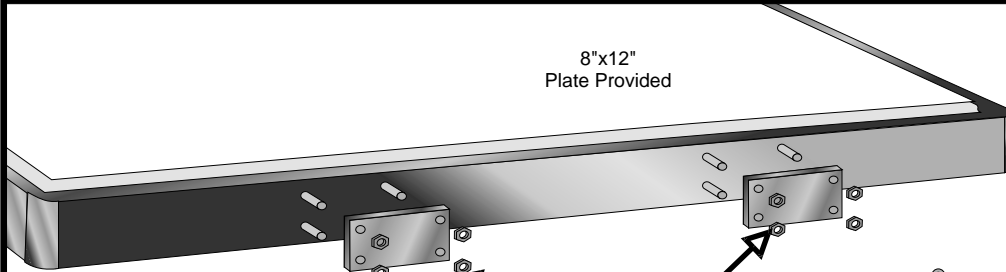


10



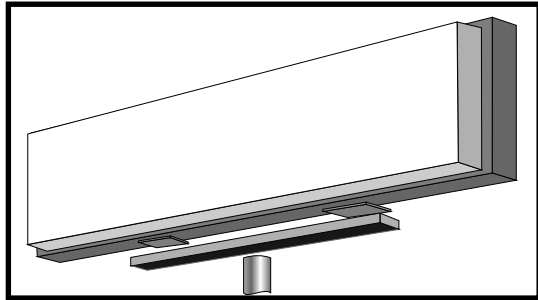
NOTE: Pole not furnished.

Double Pole Center Mount



This Double pole mount configuration is used for models 3212, 312,412, 316, 416 and *612.

*612 Upon Request

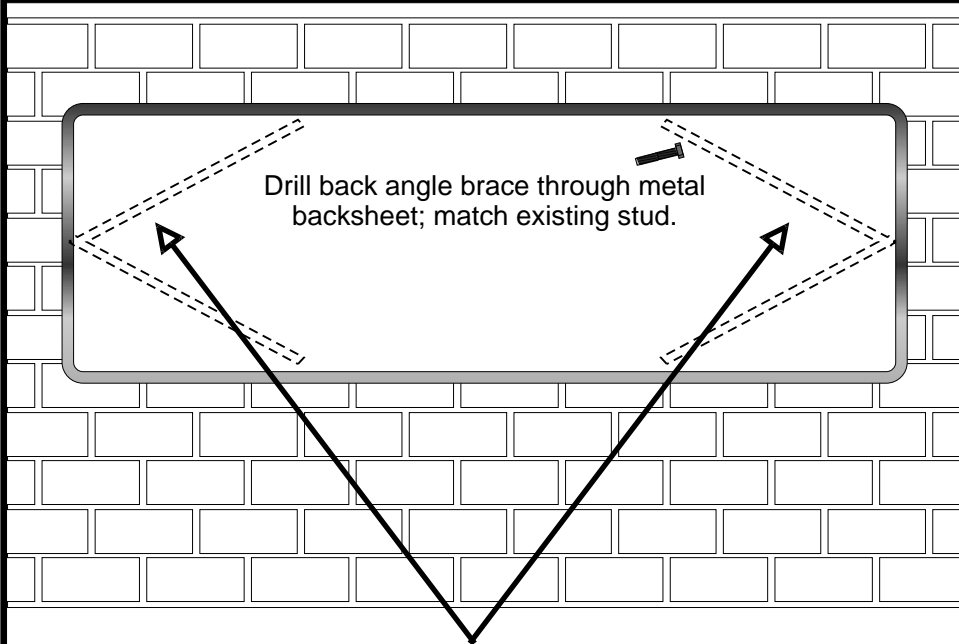


NOTE: Cross beam not furnished.

NOTE: Poles not furnished.

Double and Single
pole options

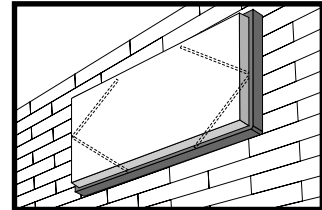
Flush Mount



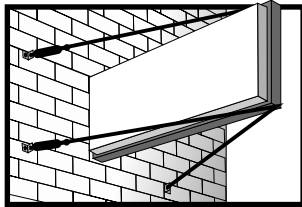
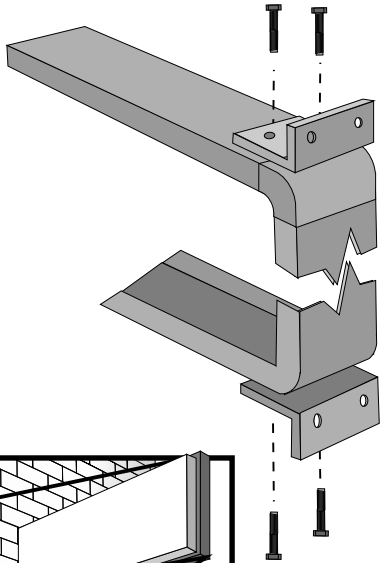
Drill back angle brace through metal backsheet; match existing stud.

Brackets for attachment to wall located INSIDE sign.

NOTE: Anchors to mounting surface are not supplied.

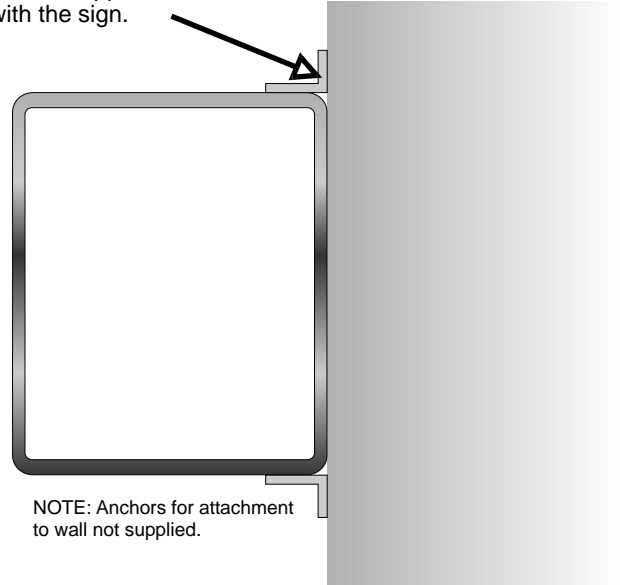


Projecting Mount/Wall or Pole



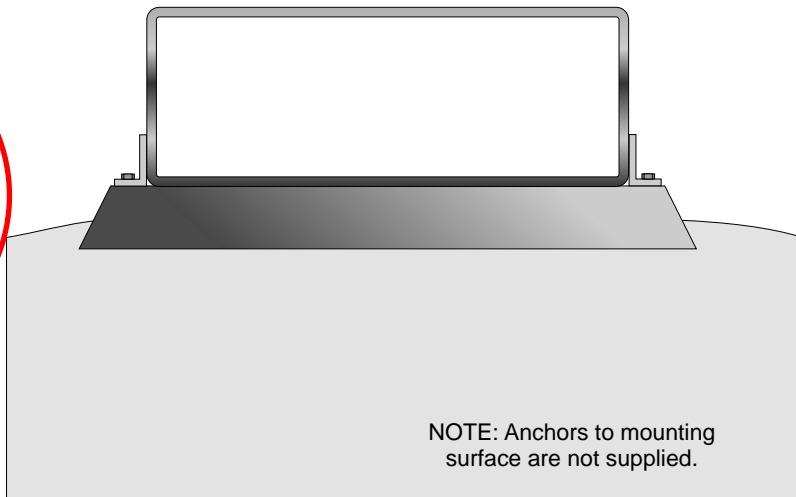
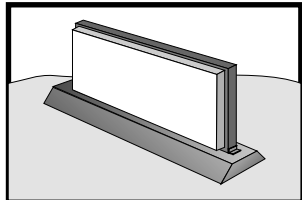
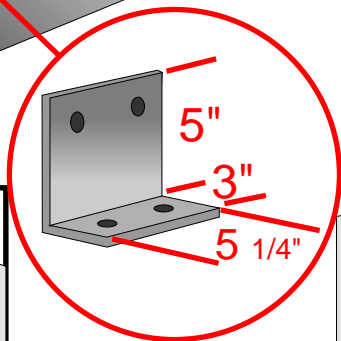
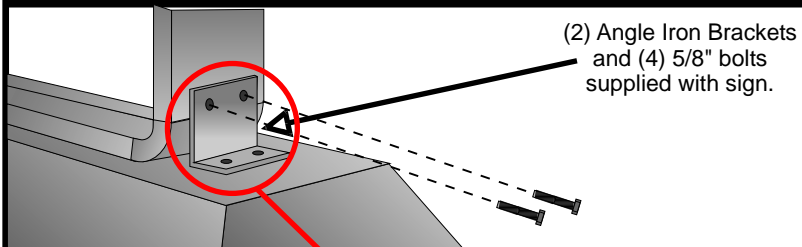
NOTE: Guy wires required with 6' or more projection.

2 Angle Iron Brackets and
4 Bolts supplied
with the sign.

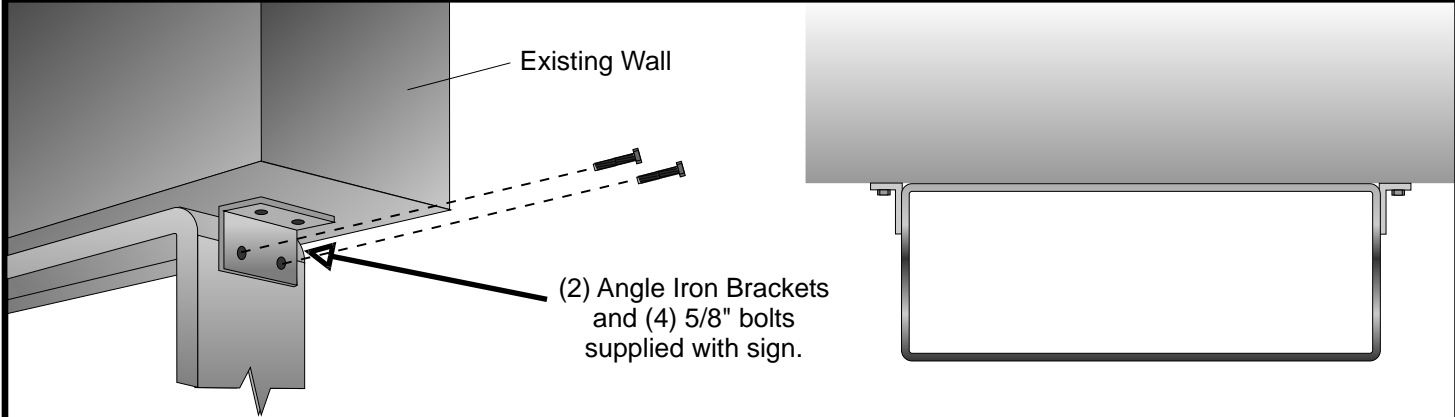


NOTE: Anchors for attachment
to wall not supplied.

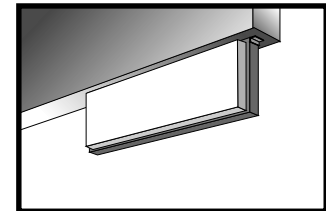
Bottom Mount



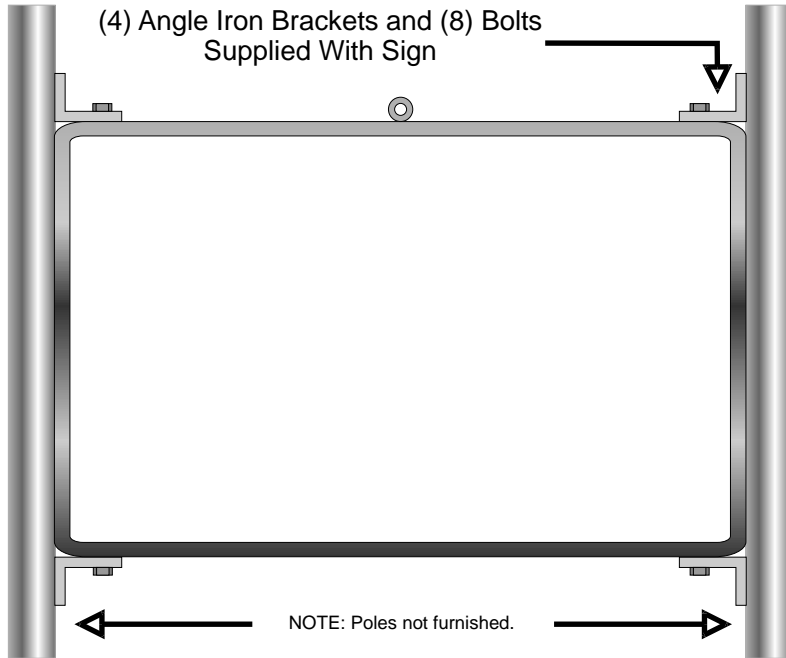
Top Mount



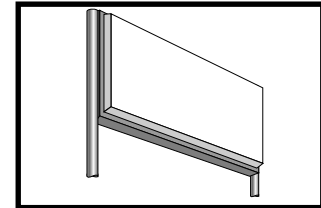
NOTE: Anchors to mounting surface are not supplied.



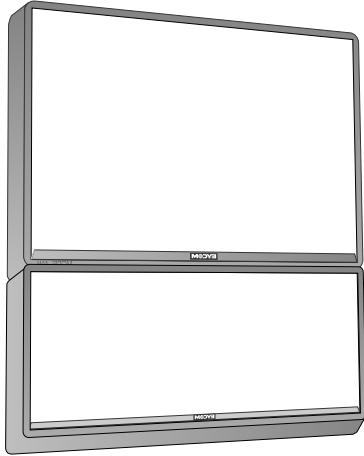
Between (2) Poles Mount



NOTE: Anchors for attachment to poles are not supplied.



Combo's



MOUNTING

- **DOUBLE POLE**
- **CENTER POLE**
- **BETWEEN TWO POLES**
- **SINGLE FACE:**
FLUSH MOUNT
- **FLAG MOUNTS:**
326X46 OR 46X326 ONLY

32 ON TOP

68 x 328
48 x 328
68 x 326
48 x 326
46 x 326

36-38 ON TOP

46 x 36
48 x 36
48 x 38
66 x 36
68 x 36

32 ON BOTTOM

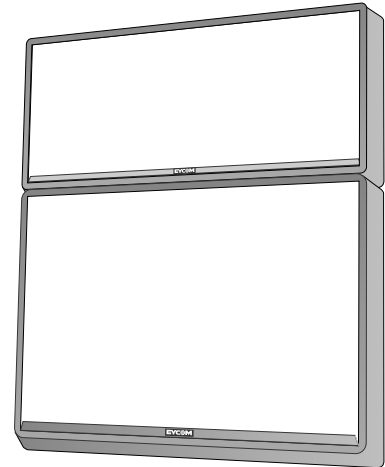
328 x 68
328 x 48
326 x 68
326 x 48
326 x 46

36-38 ON BOTTOM

36 x 46
36 x 48
36 x 66
38 x 48

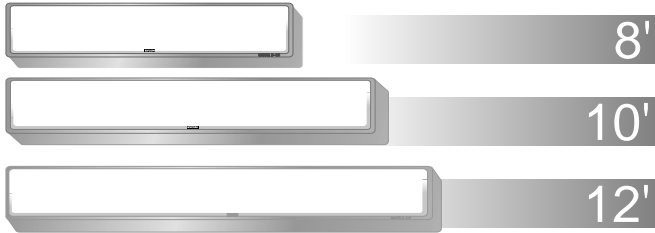
58 ON BOTTOM

58 x 38
58 x 48



Headliners / Headliner combo's

Single Headliners



Single Headliner MOUNTING

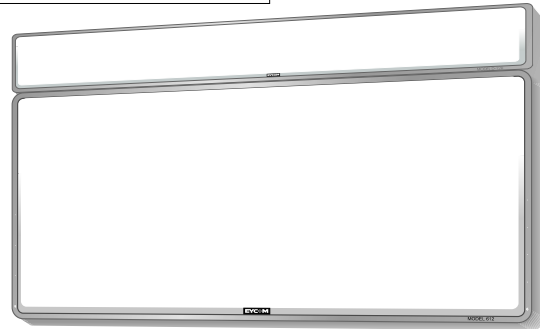
- SINGLE FACE:
FLUSH MOUNT
- TOP MOUNT
- BOTTOM MOUNT
- BETWEEN POLES

Combo Headliner MOUNTING

- DOUBLE POLE
- CENTER POLE
- BETWEEN TWO POLES

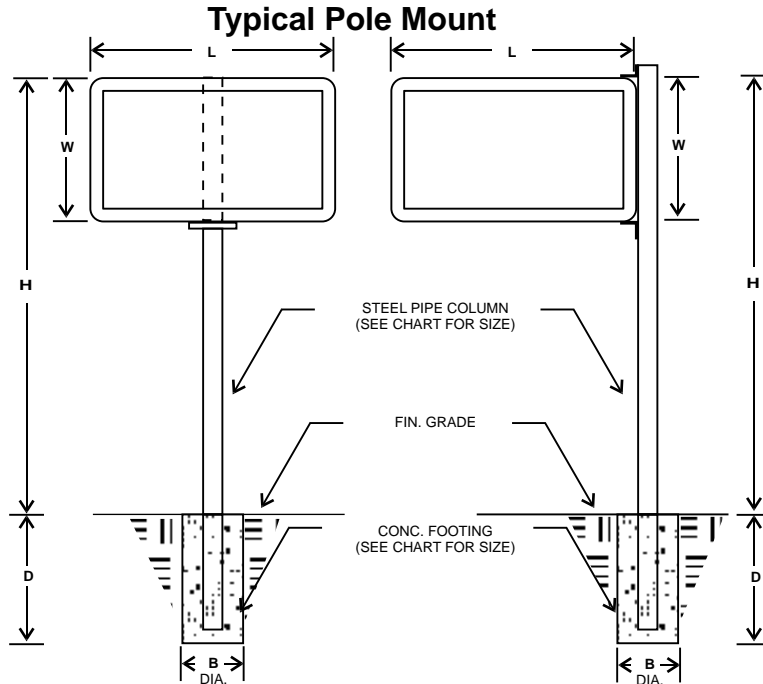
Combo's

8' Headliner On top	10' Headliner On top	12' Headliner On top
48	510	612
58		412
68		



Note: "Headliners" are mounted on the top of the sign. Headliners cannot be added to an existing sign.

Pole & Footing Suggestions



Consult your *local ordinances* for the specific requirements in your area. Also, requirements on soil conditions in your area.

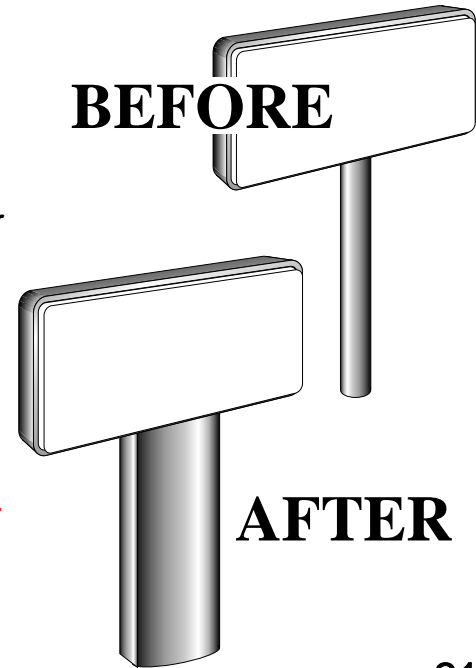
Signtronix assumes no responsibility for any installation. Signtronix suggests you obtain the services of a reputable installer and you confirm all pole and footing specifications with your local or state Building & Safety Departments before starting installation.

Pole & Footing Suggestions

SIGN	HEIGHT	POLE SIZE	FOOTING	FOOTING
	(H)		(B)	(D)
3 2 6	to 15' - 0"	4" DIA . STD . PIPE	1' - 6" DIA .	4' - 6"
3 2 6	15' to 20'	6" DIA . STD . PIPE	2' - 0" DIA .	4' - 6"
3 2 8	to 15' - 0"	4" DIA . STD . PIPE	1' - 6" DIA .	5' - 0"
3 2 8	15' to 20'	6" DIA . STD . PIPE	2' - 0" DIA .	5' - 0"
3 4	to 15' - 0"	4" DIA . STD . PIPE	1' - 6" DIA .	4' - 0"
3 4	15' to 20'	6" DIA . STD . PIPE	2' - 0" DIA .	4' - 0"
3 6	to 15' - 0"	4" DIA . STD . PIPE	1' - 6" DIA .	4' - 6"
3 6	15' to 20'	6" DIA . STD . PIPE	2' - 0" DIA .	5' - 0"
3 8	to 15' - 0"	4" DIA . STD . PIPE	1' - 6" DIA .	4' - 6"
3 8	15' to 20'	6" DIA . STD . PIPE	2' - 0" DIA .	5' - 0"
4 4	to 15' - 0"	4" DIA . STD . PIPE	1' - 6" DIA .	4' - 6"
4 4	15' to 20'	6" DIA . STD . PIPE	2' - 0" DIA .	4' - 6"
4 5	to 15' - 0"	4" DIA . STD . PIPE	1' - 6" DIA .	4' - 6"
4 5	15' to 20'	6" DIA . STD . PIPE	1' - 6" DIA .	4' - 6"
3 2 1 2	to 15' - 0"	5" DIA . STD . PIPE	1' - 6" DIA .	5' - 6"
3 2 1 2	15' to 20'	8" DIA . STD . PIPE	2' - 0" DIA .	5' - 6"
4 6	to 15' - 0"	4" DIA . STD . PIPE	1' - 6" DIA .	5' - 0"
4 6	15' to 20'	6" DIA . STD . PIPE	2' - 0" DIA .	5' - 0"
4 8	to 15' - 0"	5" DIA . STD . PIPE	1' - 6" DIA .	5' - 0"
4 8	15' to 20'	6" DIA . STD . PIPE	2' - 0" DIA .	5' - 6"
4 1 2	to 15' - 0"	8" DIA . STD . PIPE	1' - 6" DIA .	6' - 0"
4 1 2	15' to 20'	8" DIA . STD . PIPE	2' - 0" DIA .	6' - 0"
5 8	to 15' - 0"	5" DIA . STD . PIPE	1' - 6" DIA .	5' - 6"
5 8	15' to 20'	8" DIA . STD . PIPE	2' - 0" DIA .	6' - 0"
5 1 0	to 14' - 0"	5" DIA . STD . PIPE	1' - 6" DIA .	6' - 0"
5 1 0	14' to 20'	8" DIA . STD . PIPE	2' - 0" DIA .	6' - 0"
6 6	to 15' - 0"	5" DIA . STD . PIPE	1' - 6" DIA .	5' - 6"
6 6	15' to 20'	6" DIA . STD . PIPE	2' - 0" DIA .	5' - 6"
6 8	to 15' - 0"	5" DIA . STD . PIPE	1' - 6" DIA .	6' - 0"
6 8	15' to 20'	8" DIA . STD . PIPE	2' - 0" DIA .	6' - 0"
6 1 2	to 10' - 0"	8" DIA . STD . PIPE	1' - 6" DIA .	6' - 0"
6 1 2	10' to 20'	8" DIA . STD . PIPE	2' - 0" DIA .	7' - 0"

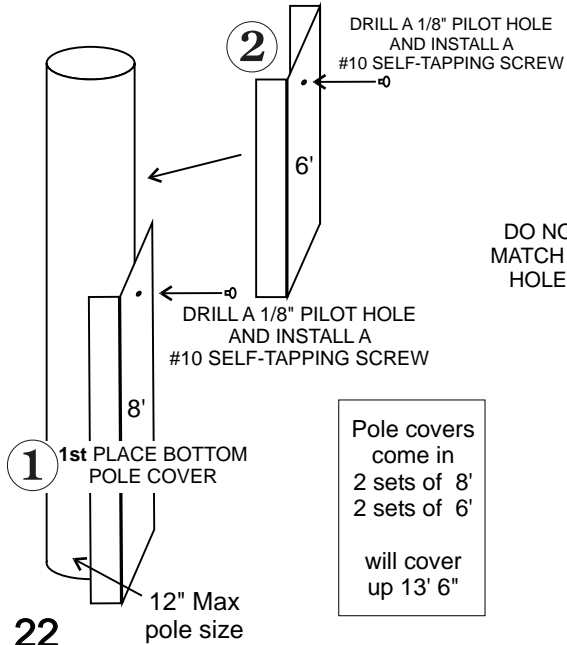
Pole Cover Installation

- 1 Place **BOTTOM SECTION** of pole cover (8 foot section) and measure from the top of the cover to the bottom of the sign so that it is square . Install one **#10 self tapping screw** at the top of your pole cover. **Repeat on other side.** See **FIGURE A**
- 2 Place **TOP SECTION** of pole cover (6 foot section) on top the bottom section and align both sections with pole. **Repeat on other side.**
- 3 Screw to the pole using supplied **#10 self-tapping screws.** See **FIGURE B**
- 4 Overlap the two sides and **SQUEEZE** sides together. **DO NOT MATCH UP HOLES.** Pilot holes are provided as a guide for attaching sides. Screw sides together using **#8 TEC screws (NOT INCLUDED).** **Repeat on other side.** See **FIGURE C**



Pole Cover Installation

FIGURE A
SQUARE COVER TO EXISTING SIGN



Pole covers come in 2 sets of 8' 2 sets of 6' will cover up 13' 6"

FIGURE B

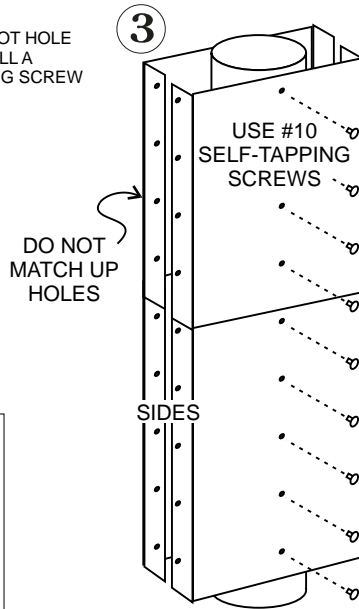
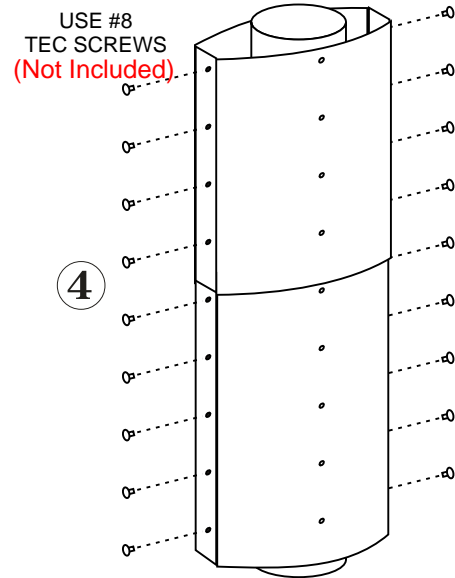
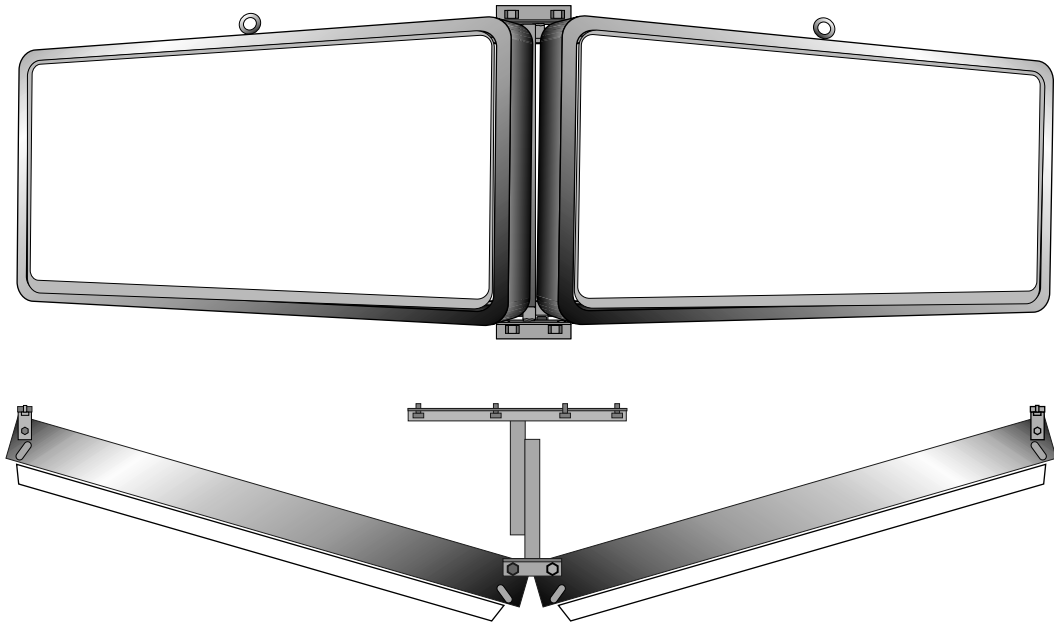


FIGURE C

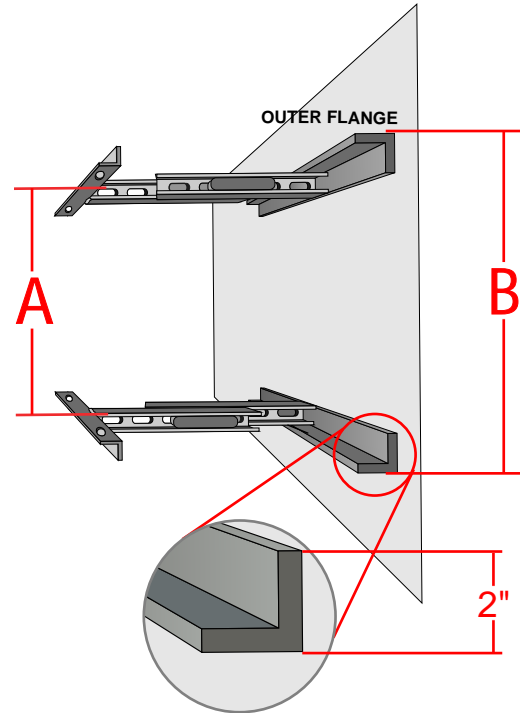


V3D Mount Installation



V3D Mount Installation Chart

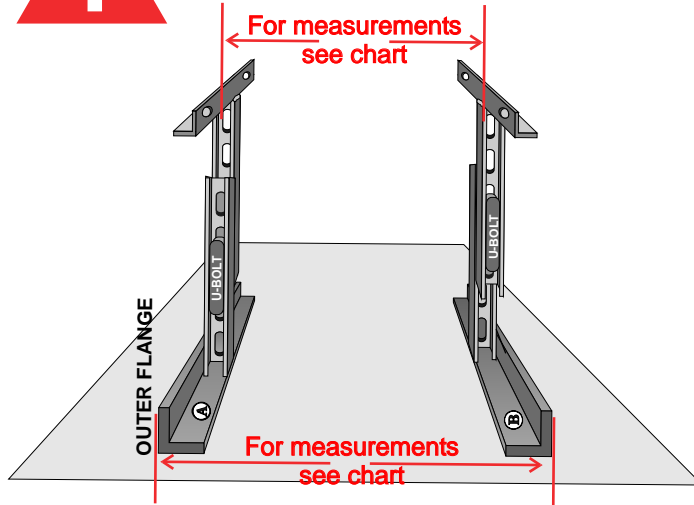
Size of sign	A Measurements of inner flanges	B Measurements of outer flanges
34	37 3/8"	41 3/8"
36	37 3/8"	41 3/8"
38	37 3/8"	41 3/8"
44	49 3/8"	53 3/8"
45	49 3/8"	53 3/8"
46	49 3/8"	53 3/8"
48	49 3/8"	53 3/8"
326	31 3/8"	35 3/8"
328	31 3/8"	35 3/8"
3212	31 3/8"	35 3/8"
312	37 3/8"	41 3/8"



V3D Mount Installation

CENTER BRACKET PRE-ASSEMBLY

1



1) Place pre-assembled **UPPER CENTER BRACKET (PART "A")** on a flat surface as shown.

2) From the outer flange of **PART-A** measure a size (according to the chart in the previous page) and place outer flange of pre-assembled **LOWER CENTER BRACKET**.

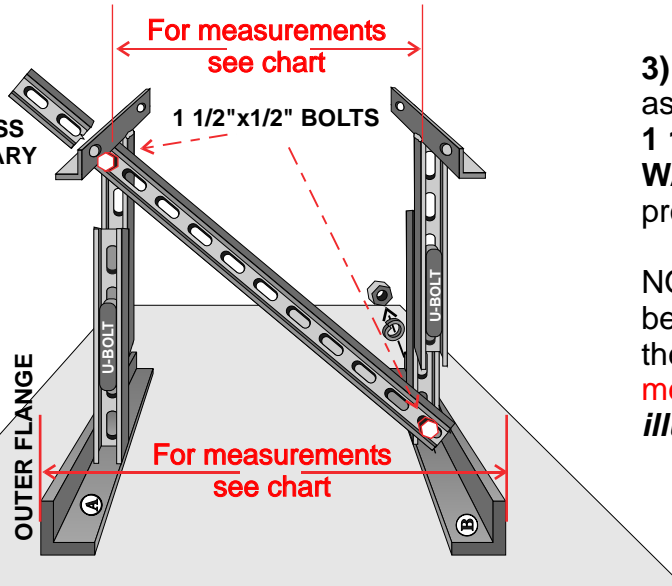
NOTE: The brackets are pre-adjusted at the factory to mount your sign at the *recommended* angle for optimum viewing. However, the **V3D MOUNT BRACKET** is easily adjustable to change its depth.

V3D Mount Installation

2

DIAGONAL BRACKET ATTACHMENT

TRIM EXCESS
AS NECESSARY



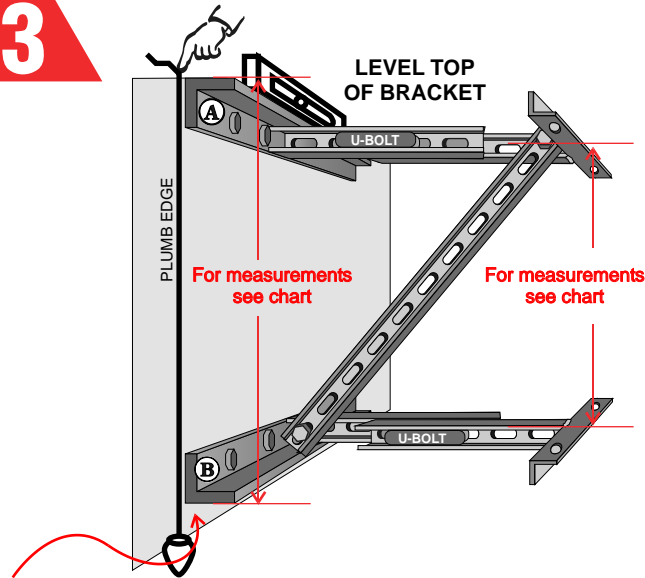
3) Bolt **DIAGONAL BRACE** as shown in illustration using **1 1/2"x1/2" BOLTS, LOCK WASHERS** and **NUTS** provided.

NOTE: Measurement between the two flanges of the short angles **see chart for measurement. See illustration.**

V3D Mount Installation

3

CENTER BRACKET WALL MOUNT



If lower bracket is not plumb to the top bracket, insert spacers* or shims to the lower bracket.

5) Determine placement of **CENTER BRACKET ASSEMBLY** against wall. NOTE: top of **ASSEMBLY** will determine height of sign.

6) Level **UPPER BRACKET** and bolt to wall using anchor bolts best suited to your wall structure (**anchor bolts NOT provided**).

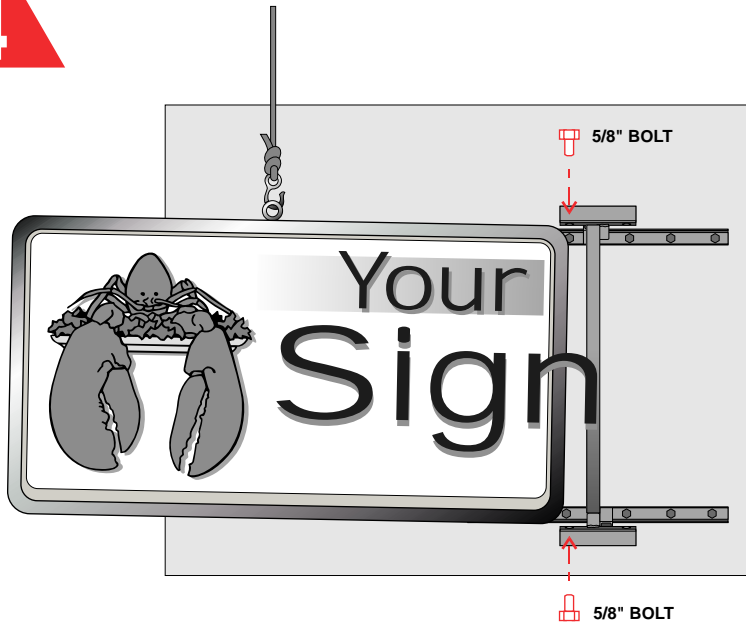
7) Square **LOWER BRACKET** with **UPPER BRACKET** using a plumb line. Maintain the measurement (**according to the size of sign from chart**) flange to flange distance at both ends of **ASSEMBLY**. Bolt to wall. Check inner flange measurement remains to the measurement. (**According to chart measurements.**) **See illustration**

* Not included

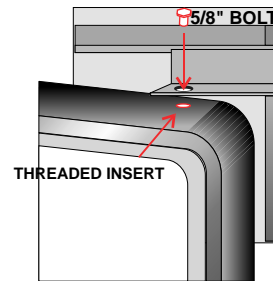
V3D Mount Installation

4

SIGN UNIT ATTACHMENT



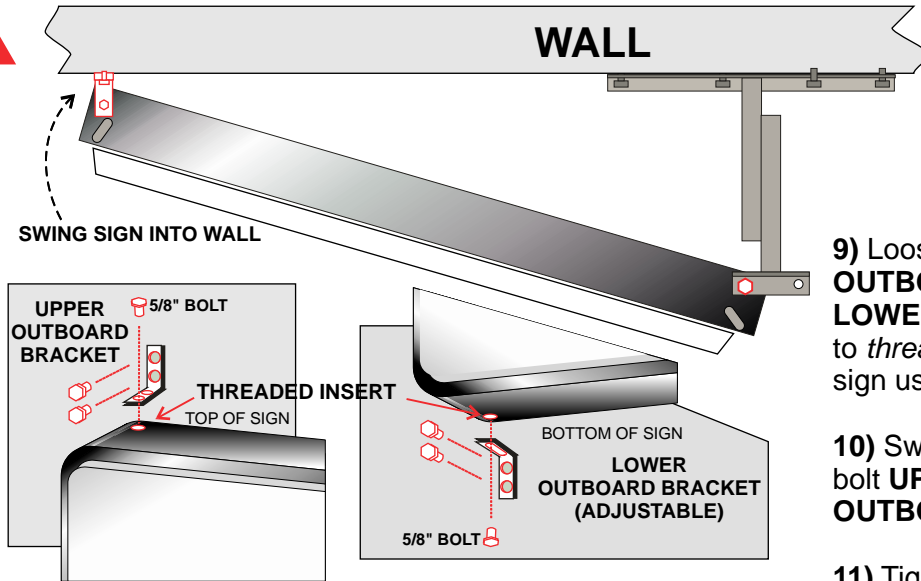
8) Lift and position sign so that *threaded inserts* of sign align with holes in **CENTER BRACKET ASSEMBLY**. Bolt top and bottom of sign to **CENTER BRACKET ASSEMBLY** using **5/8" BOLTS** provided.



V3D Mount Installation

5

TOP VIEW



9) Loosely attach **UPPER OUTBOARD BRACKET** and **LOWER OUTBOARD BRACKET** to *threaded inserts* at other end of sign using **5/8" BOLTS** provided.

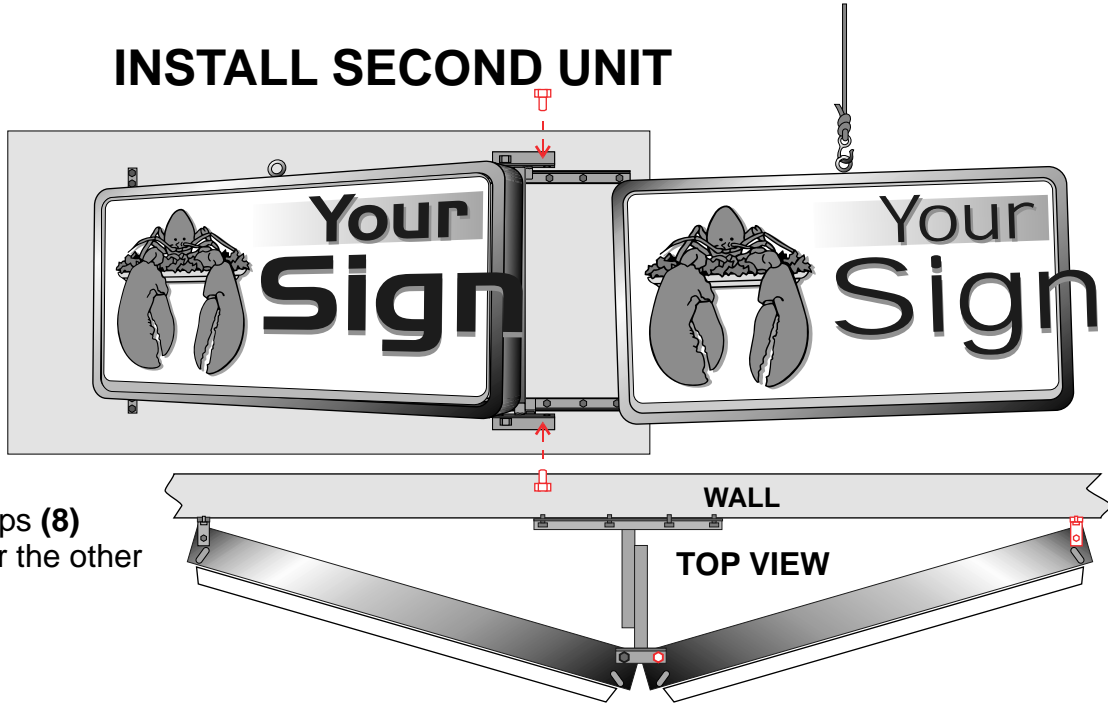
10) Swing sign to wall, level and bolt **UPPER** and **LOWER OUTBOARD BRACKETS** to wall.

11) Tighten all bolts.

V3D Mount Installation

6

INSTALL SECOND UNIT



12) Repeat steps (8) through (11) for the other side.

- Electrical Specifications
- Electrical Troubleshooting
- Electrical Wiring Diagrams
- Panel Replacement
- Lamp Removal / Access to Wiring

Electrical Specifications

All signs are UL Listed

Lamp Wattage:

Size of lamp	Description	Wattage	Volts
8'-0" Lamps	F96T12 CW HO	110 Watts	120v
6'-0" Lamps	F72T12 CW HO	85 Watts	120v
5'-0" Lamps	F60T12 CW HO	60 Watts	120v
4'-0" Lamps	F48T12 CW HO	40 Watts	120v
3'-0" Lamps	F36T12 CW HO	20 Watts	120v

Amps per sign:

	1.5 - 3	3 - 5	5 - 7	7 -13.5
Model:	34, 36,	38, 326, 328, 44, 48	312, 3212, 46, 412, 66, 510, 612	316, 416, 58, 68
Headliner:	8', 10', 12'	With Headliner:	48	58, 68, 612

Combo Amps

For Combo's add up both signs purchased according to the chart given.

***We suggest as a minimum a 20 amp dedicated circuit or more depending on sign combinations.

Troubleshooting

Lamp Won't Start

POSSIBLE CAUSES

1. Lamp failure
2. Poor lamp-to-lamp holder contact
3. Incorrect wiring
4. Low voltage supply
5. Dirty lamps or lamp pins
6. Fixture not grounded

CORRECTIVE MAINTENANCE

1. Replace lamp
2. Twist lamp in socket, reset
3. Refer to wiring diagrams
4. Measure voltage supply with lamps or, refer to Impress Voltage Table
5. Clean surfaces on lamp or pins
6. Ground fixture

Very Slow Starting

POSSIBLE CAUSES

1. Input voltage too low
2. Poor lamp-to-lamp holder contact
3. Defective Lamp
4. Improper circuit wiring
5. Improper ballast application
6. High humidity
7. Bulb-wall temperature too low or high
8. Dirty lamp surface

CORRECTIVE MAINTENANCE

1. Measure lamp voltage with lamp on
2. Twist lamp in socket, reset
3. Replace lamp
4. Refer to wiring diagram
5. Check Lamp/Ballast selection tables
6. None
7. Thermal test lamp at midpoint, refer to lamp manufacturer data

Troubleshooting(cont.)

Lamp Flicker

POSSIBLE CAUSES

1. New lamps
2. Defective lamps
3. Improper voltage
4. Improper ballast application

CORRECTIVE MAINTENANCE

1. Should be operated 100 hours for proper seasoning
2. Replace lamps
3. Measure supply voltage with lamps on
4. Refer to Lamp/Ballast selection tables

Primary Current

To be taken at the ballast with a multi-meter and clamp-on probe. Place clamp around the black wire only. This reading should be at or below the rating of the ballast as indicated on the label. If the total combined footage does not meet the maximum of the ballast's limit, this reading will be less than stated on the label. If this reading exceeds the rating, there is either a short in the wiring or the wiring is incorrect. Double check the actual wiring with the wiring diagram on the label. Look for any wires that may be shorted to ground or another wire.

Troubleshooting(cont.)

Primary Voltage

To be taken across the black and white wire. Must be 120 VAC +/- 5%. Any deviation from this will cause premature failure of the ballast. If this voltage is low, attempt to locate the reason. Make sure the wire used to supply the circuit is of sufficient size for the distance from the electrical panel and the rated load. Check the voltage at different points in the primary run to find out where the problem may exist.

Filament Voltage

To be taken across with a multi-meter in the socket from pin-to-pin. The reading here should be between 3.5 VAC to 6 VAC.

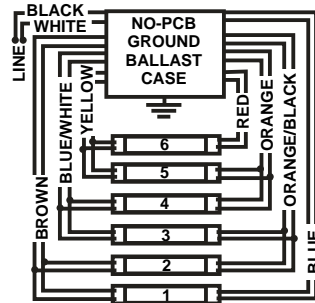
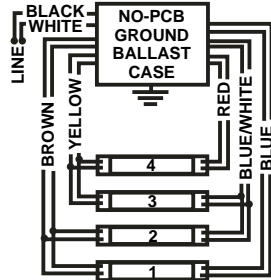
If voltage reading is below 3.5:

- a) Check for low primary input voltage.
- b) Check for shorted filament wires within the sign.
- c) Possibly a damaged or defective ballast.

If voltage reading is above 6 volts:

- a) Check for high primary input voltage.
- b) Possibly a damaged or defective ballast.

Wiring Diagrams



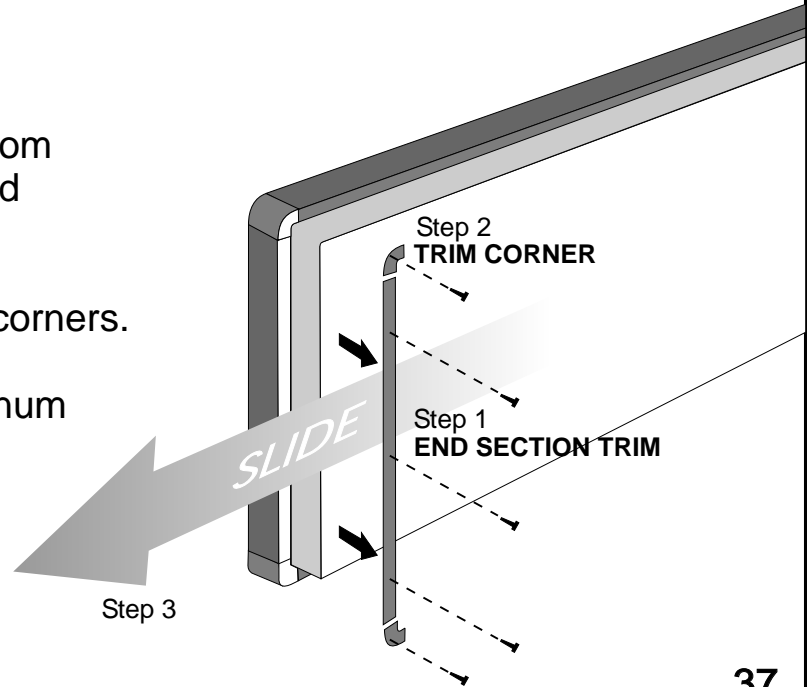
***SIGN EITHER USES (2)
OR (4) BALLASTS.**

Ballast models	448-AT	496-AT	648-AT	672-AT	696-AT	
Model:	34 316(4)* 416(4)*	36 326 66(2)*	312 3212 44	46(2)* 48(2)*	44 46 58(2)* 612(2)* 68(2)*	38 38(2)* HCP 48 68(2)*
Headliner:		8' 10'			12'	
Headliner Combo's:	48 - (672 / 696) 58 - (672 / 696)	68 - (672 / 696) 510 - (672 (2) / 496)	612 - (672 (2) / 696)			

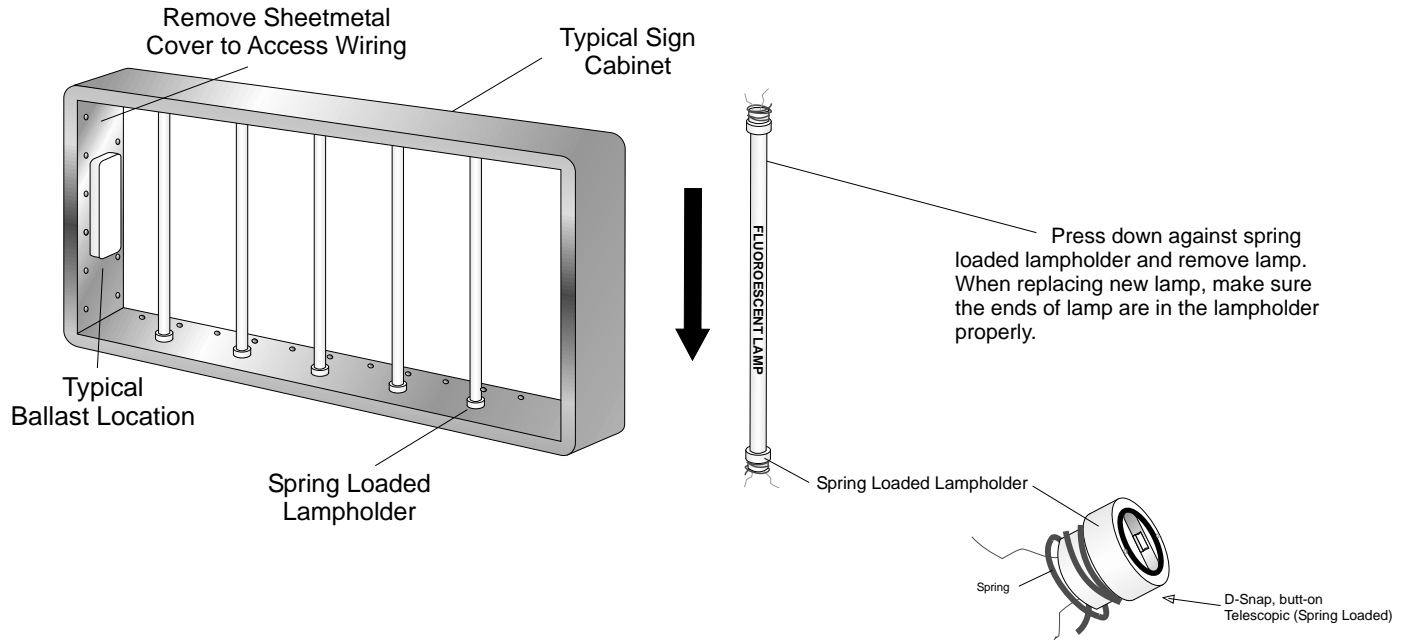
Panel Replacement

INSTRUCTIONS:

- 1 Remove #8 Hex Head screws from end section trim on sign face and remove the trim piece.
- 2 Unscrew and remove both trim corners.
- 3 Slide LEXAN panel out of aluminum sign frame.



Lamp Removal / Access Wiring



- Obtaining Permits
- Plot Plan

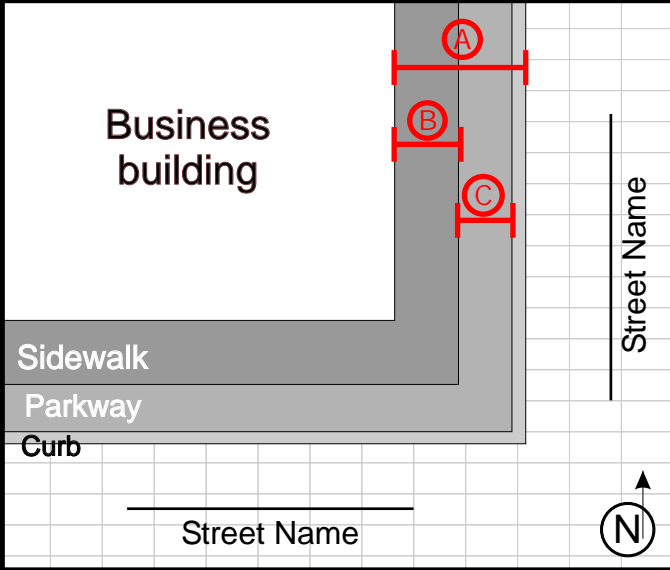
Obtaining Permits

Signtronix assumes no responsibility in the installation of your sign

- 1) Product description; size
- 2) Plot plan: For your convenience you will find a grid area with necessary items to develop a plot plan (see page 41)
- 3) Electrical requirements (see pages 31-36)
- 4) Required footing or engineering not supplied by manufacturer

Plot Plan

NAME OF BUSINESS _____	BUSINESS ADDRESS _____	MAP BOOK NUMBER _____	PAGE NUMBER _____
UNIT NUMBER (IF APPLICABLE) _____	PARCEL NUMBER _____	PROPERTY OWNER _____	OWNER APPROVAL _____
TRACK NUMBER _____	MAJOR CROSS STREETS _____	SCALE _____	



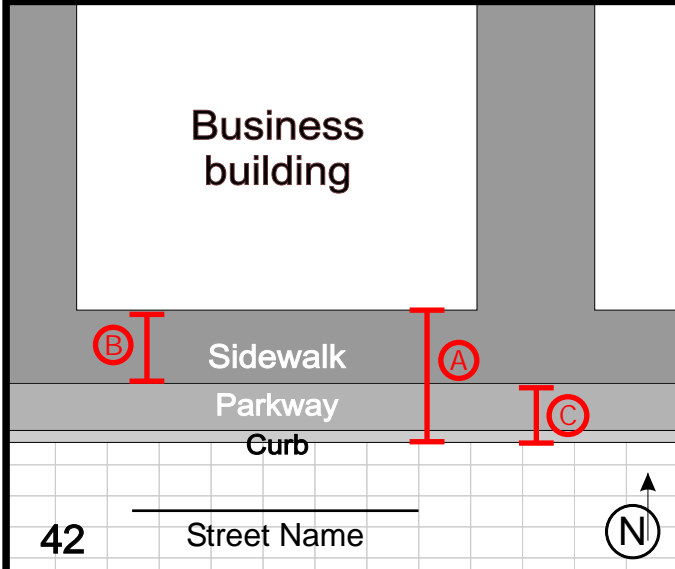
Write measurements according to the letters on diagram. Measurements are written according to your business site.

A _____
B _____
C _____

Notes: _____

Plot Plan

NAME OF BUSINESS _____	BUSINESS ADDRESS _____	MAP BOOK NUMBER _____	PAGE NUMBER _____
UNIT NUMBER (IF APPLICABLE) _____	PROPERTY OWNER _____	OWNER APPROVAL _____	
TRACK NUMBER _____	PARCEL NUMBER _____	MAJOR CROSS STREETS _____	SCALE _____



Write measurements according to the letters on diagram. Measurements are written according to your business site.

A _____
B _____
C _____

Notes:

- Sign Face Cleaning & Maintenance
- Changing Marquee Letters

Sign Face Cleaning & Maintenance

LEXAN

The proprietary UV-resistant surface on **LEXAN** and Thermoclear sheet significantly improves long-term weather. Clean periodically with proper procedures and compatible cleaners to prolong service life. For general cleaning, it is recommended that the following instructions and cleaning agents be used.

CLEANING PROCEDURES

1. Rinse sheet with lukewarm water.
2. Wash sheet with a mild soap and lukewarm water.
3. Use a soft cloth or sponge and gently wash to loosen remaining dirt and grime **DO NOT SCRUB.**
4. Repeat rinse and dry with a soft cloth to prevent water spotting.

CLEANING PROCEDURES FOR HEAVILY WEATHERED SIGNS

1. Clean with a one-to-one mixture of butyl cellosolve and isopropyl.
2. Apply cleaning solution over the entire sign face. Allow to stand for 5 minutes.
3. Wash with a soft cloth wet with more of the solution and scrub vigorously.
4. After the surface dirt and grime have been loosened, wipe off with a dry cloth to remove the excess solution and yellow deposits.

Note: Do not clean the sign face in direct sunlight.

Sign Face Cleaning & Maintenance (cont.)

PAIN T REMOVAL for LEXAN

When it is necessary to remove paint from a sign face, use only approved polycarbonate thinner or isopropyl alcohol.

Polycarb Cleaner

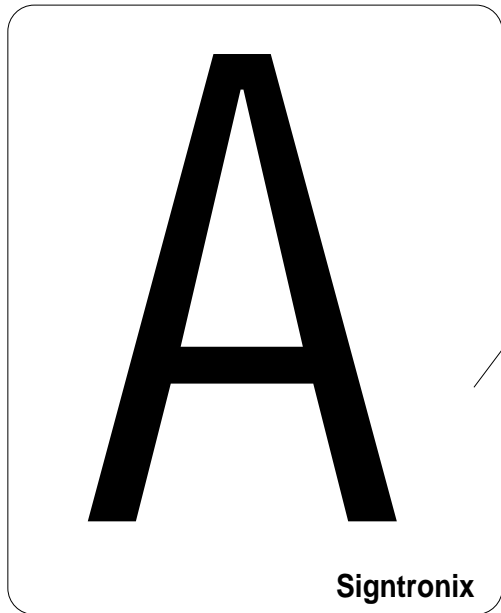
Supplier:
AGP Surface Control Systems, Inc.
PO Box 388, Thunderbird Terrace
Windham, NY 12496

COMPATIBLE CLEANING AGENTS

Formula 409*
Windex with Ammonia D**
Joy***
Palmolive Liquid****
Top Job***

* Registered Trademark of the Clorox Company
** Registered Trademark of the Drackett Products Company
*** Registered Trademark of Proctor & Gamble
**** Registered Trademark of Colgate Palmolive

Changing Marquee Letters



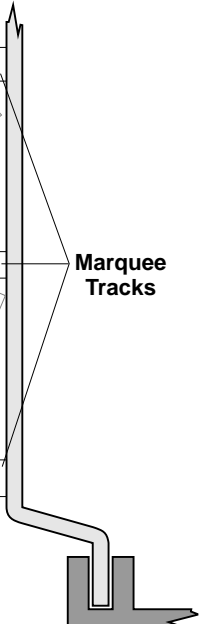
Marquee Letters

Step 1

Step 2

Marquee Tracks

SIDE VIEW



<http://www.signtronix.com>



This USERS GUIDE and the ENGINEERING DRAWINGS will be available for viewing or downloading from our website.*

* IN ADOBE ACROBAT FORMAT